

USER GUIDE AND INSTALLATION MANUAL GULLWING DOOR CONVERSION PATENT PENDING

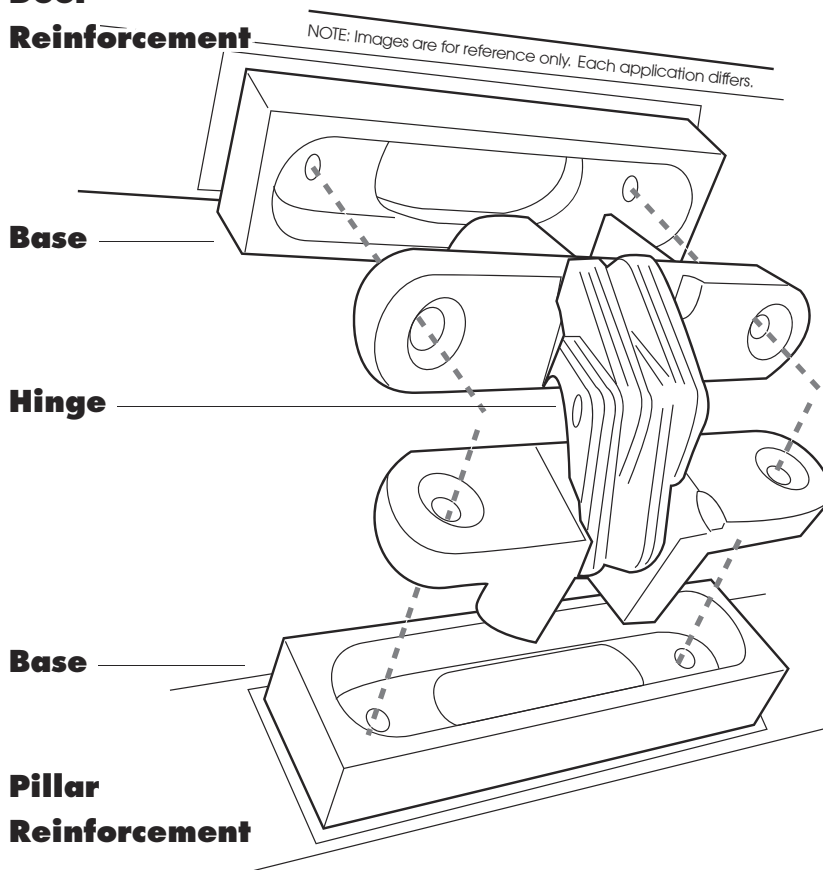
GWKIT - Gullwing Door Conversion Kit

GWKITD - Automatic Gullwing Door Conversion Kit

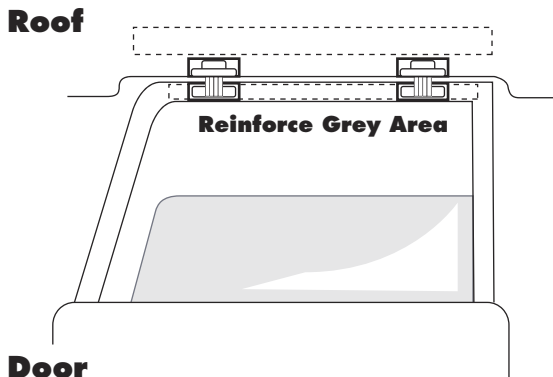
GWKIT2 - Heavy Duty Gullwing Door Conversion Kit

GWKIT2D - Heavy Duty Automatic Gullwing Door Conversion Kit

**Door
Reinforcement**



Top View



NOTE: Dotted area must be reinforced with box tubing for safe installation.

NOTE: Hinges must be parallel for door to open properly.

Installation

1. Disconnect battery.
2. Removed door panel and disconnect all wiring to the door.
3. Remove door and determine center of balance. *NOTE: May not be measured center. Some doors may be heavier on one side.*
4. Determine good mounting point for blocks and hinges in door and jamb. Both hinges should be equidistance from the door's center of balance. *Note: do not space hinges more than 12 inches apart. Hinges MUST be exactly parallel to open correctly.*
5. Reinforce door and jamb with box tubing or heavy gauge metal to ensure safzety.
6. Recess block and tack into place on door and jamb. *NOTE: Remove hinge from base before welding to prevent warping.*
7. Bolt hinges into blocks and attach door to the vehicle. Test door operation. Once you are satisfied, permanently weld the blocks into place.
8. Mount gas strut. Strut should be totally compressed when door is shut. *See Gas Strut Specs.*
9. Stock latch may be used on some vehicles. If a new set latching system is needed, check out AutoLoc's selection of bear claw latches.
10. Repeat steps 1-8 for each door.

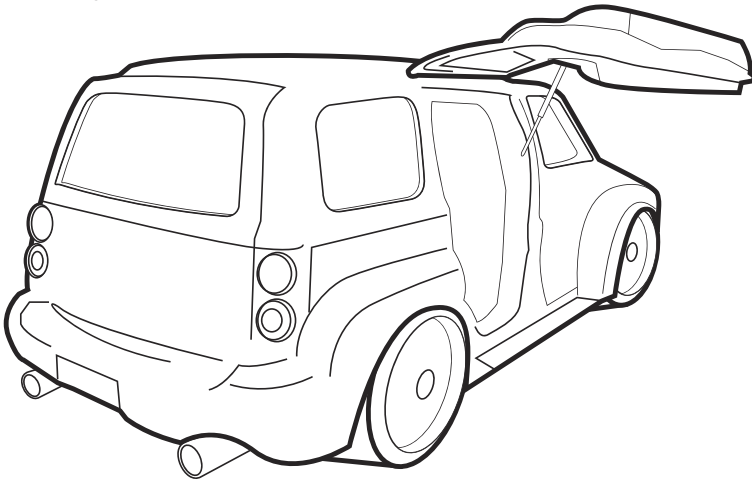
WARNING: This is a universal kit, and may require custom modifications. AutoLoc™ highly recommends professional installation by a custom fabrication shop.

WARNING: Pillars and door must be reinforced to withstand the extra load placed on those areas after installation.

Gullwing Door Styles

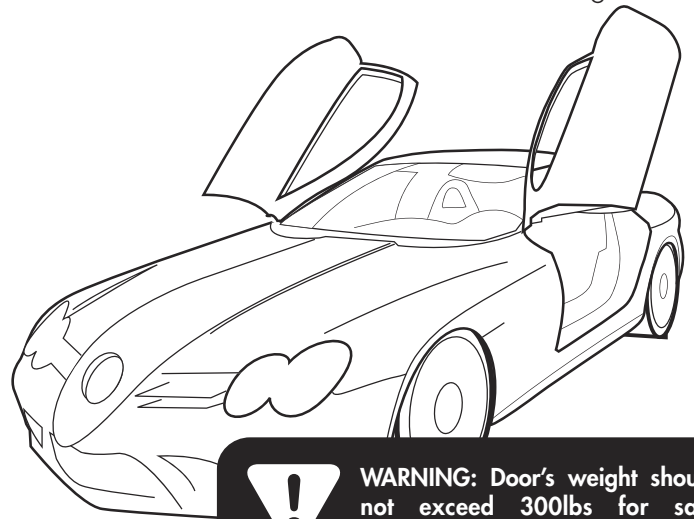
Original Gullwing Doors

The original gullwing door opens up straight from the roof. The door can be hinged at the top of the jamb, or closer to the center of the roof similar to a Delorean or Mercedes 300SL Gullwing.



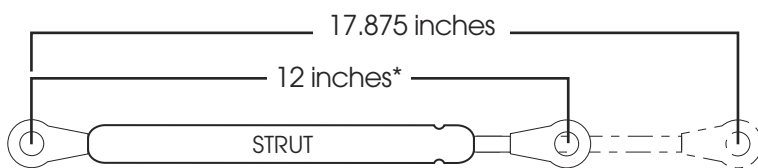
Front Roof Pillar Gullwing Doors

This style of gullwing door mounts to your vehicle's front roof pillar. This works great with vehicles that have wider pillars and enlarges the entrance for the driver and passenger. This style will not work on all vehicles because of the doors closing motion.

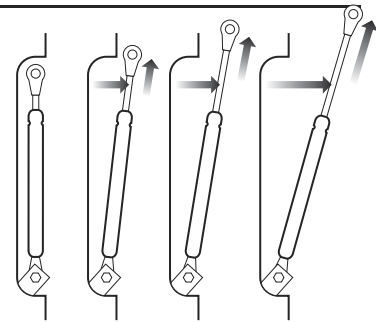


WARNING: Door's weight should not exceed 300lbs for safe operation.

Gas Strut Specifications

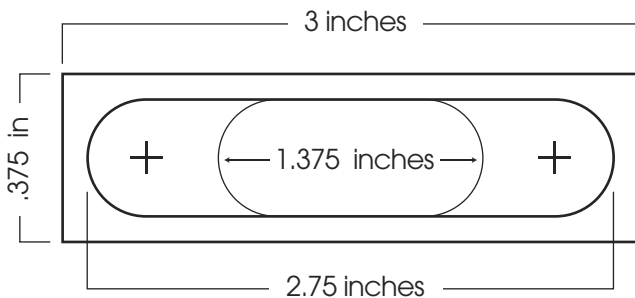


NOTE: A pocket may need to be cut out of the door and jamb for gas strut to rest when door is closed.



Template

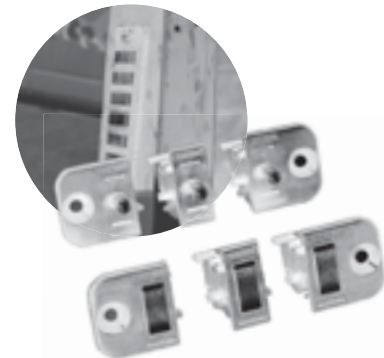
Top View



Accessories

Modular Door Contacts

Keep It Clean's EZContact™ door jam contacts are perfect for eliminating the unsightly wires that come with mounting power accessories in your door. Keep It Clean's patented modular design allows you to add additional circuits later without replacing your contact unit.



Part # SDXT, SDXM & SDXB